

# Bill of Characteristics

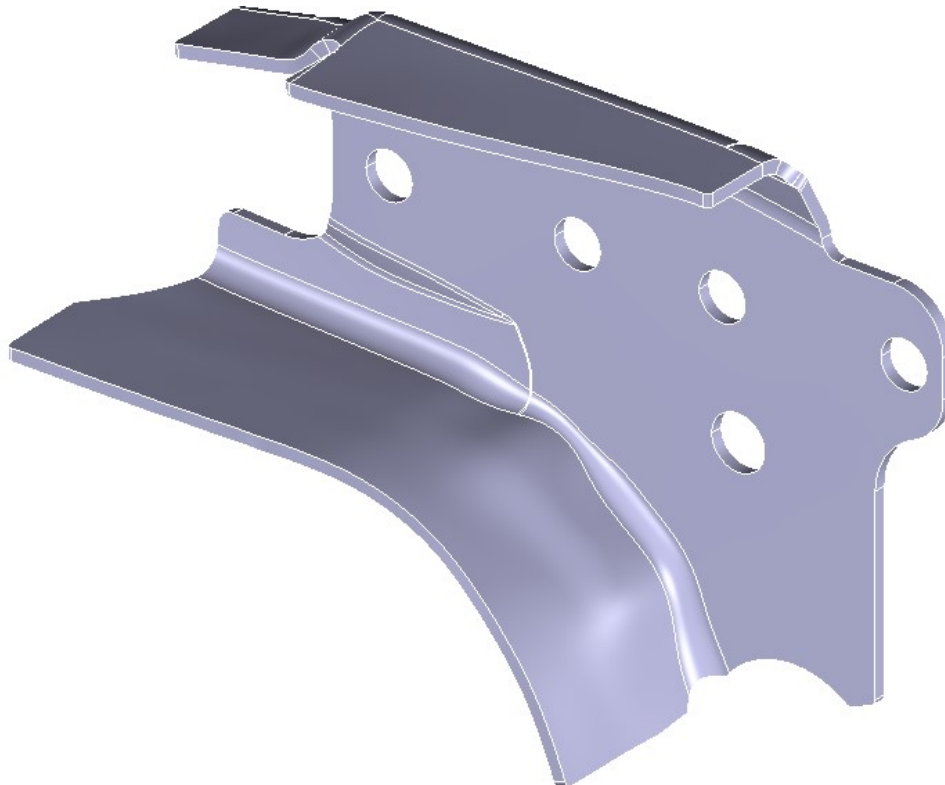
MBDVidia 4.1.200825



File Name: CCS\_PART\_1256621\_1.qif

## General Information ▲

Initial File Name	CCS_PART_1256621_1.qif
Modification Date	2020-09-20T09:11:19
Author	Scott Shuppert
Organization	CAD/CAM Services, Inc.
Source System	MBDVidia 4.1.200825
Format	QIF 2.1.0
Part Number	CCS_PART_1256621
Units	inch
Tolerance	0.005544
Document Type	Part



## PartNotes ▲

CCS\_PART\_1256621

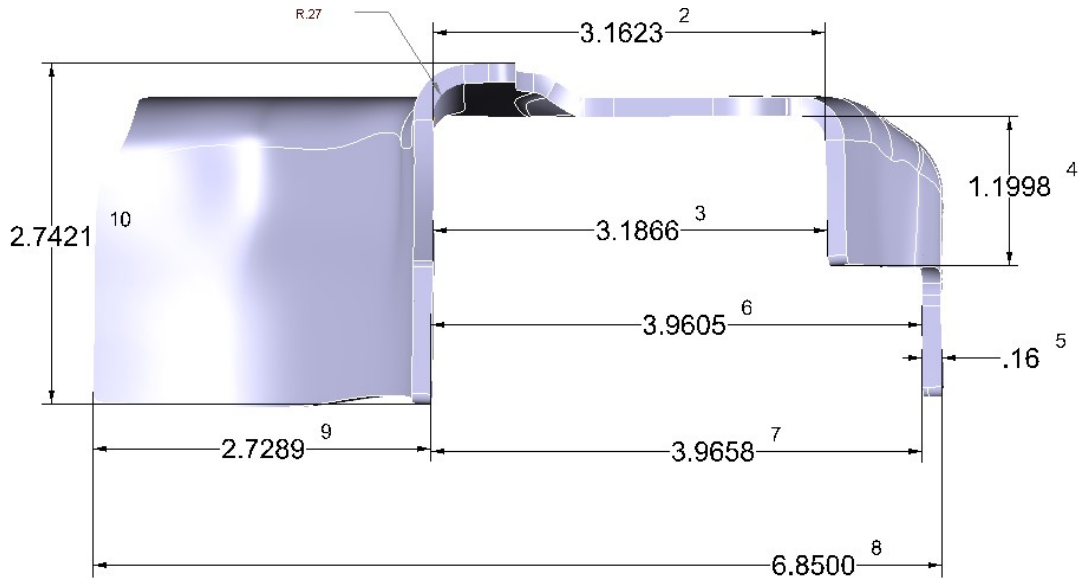
Part Number

CCS\_PART\_1256621

Source

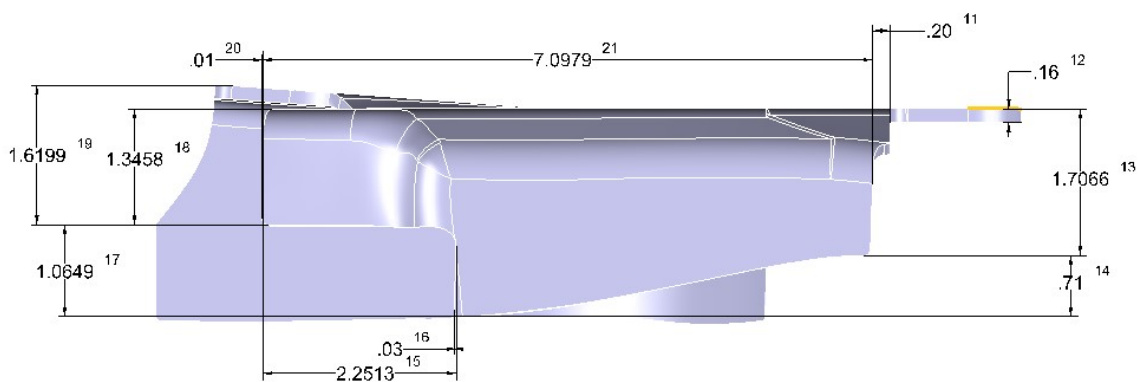
Unknown

Tag	Saved View	Feature Name	Annotation Name	GD&T	(+)	/	(-)	DRF	▲
2	Front view	Point 2252 - Point 2251	Dimension.1	3.1623	-	3.1623	-	-	
3	Front view	Point 2254 - Point 2253	Dimension.2	3.1866	-	3.1866	-	-	
4	Front view	Point 2261 - Point 2260	Dimension.8	1.1998	-	1.1998	-	-	
5	Front view	Point 2258 - Point 2257	Dimension.5	.16	-	.16	-	-	
6	Front view	Point 2256 - Point 2255	Dimension.3	3.9605	-	3.9605	-	-	
7	Front view	Point 2256 - Point 2257	Dimension.4	3.9658	-	3.9658	-	-	
8	Front view	Point 2258 - Point 2259	Dimension.6	6.8500	-	6.8500	-	-	
9	Front view	Point 2259 - Point 2256	Dimension.13	2.7289	-	2.7289	-	-	
10	Front view	Point 2264 - Point 2263	Dimension.12	2.7421	-	2.7421	-	-	

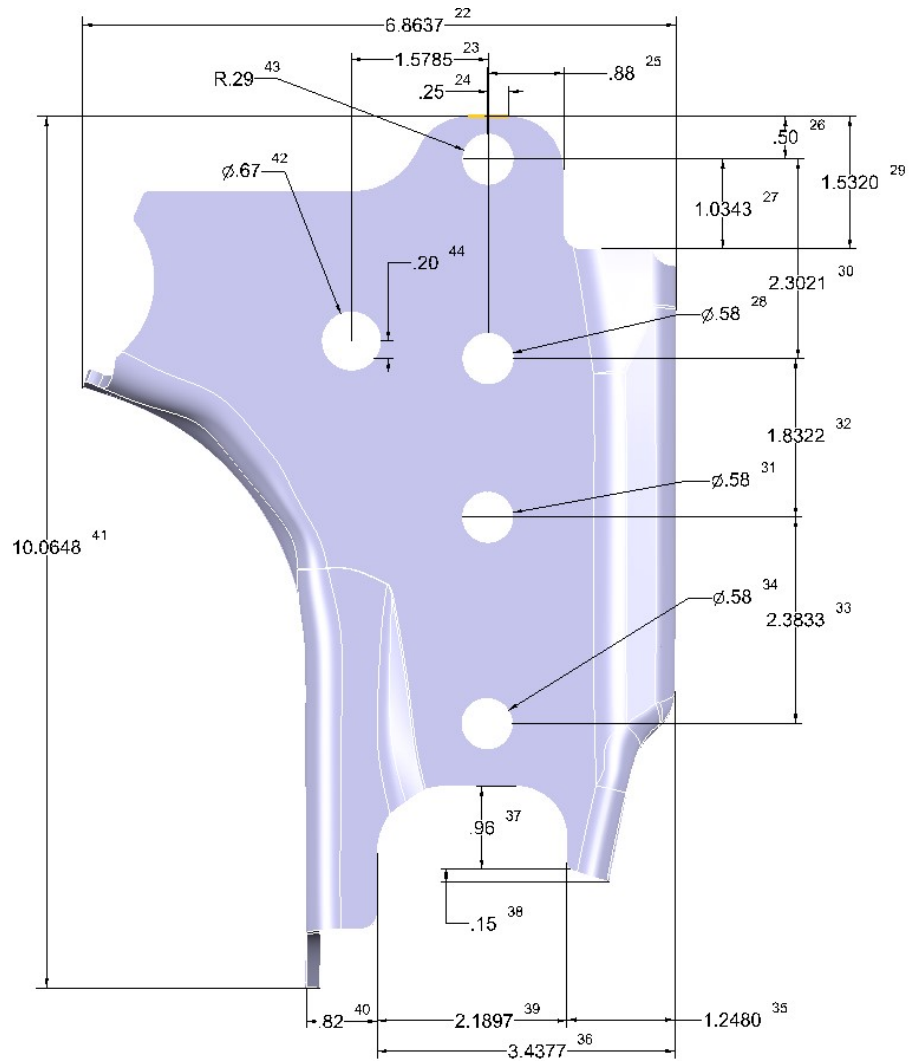


Tag	Saved View	Feature Name	Annotation Name	GD&T	(+)	/	(-)	DRF	▲
11	Right view	Plane 2386 - Point 2265	Dimension.18	.20	-	.20	-	-	
12	Right view	Point 2270 - Point 2278	Dimension.25	.16	-	.16	-	-	
13	Right view	Generic 2277 - Point 2276	Dimension.24	1.7066	-	1.7066	-	-	
14	Right view	Point 2276 - Point 2275	Dimension.23	.71	-	.71	-	-	
15	Right view	Point 2267 - Point 2266	Dimension.15	2.2513	-	2.2513	-	-	
16	Right view	Point 2258 - Point 2267	Dimension.17	.03	-	.03	-	-	
17	Right view	Point 2274 - Point 2275	Dimension.22	1.0649	-	1.0649	-	-	
18	Right view	Point 2273 - Point 2274	Dimension.21	1.3458	-	1.3458	-	-	
19	Right view	Point 2263 - Point 2274	Dimension.26	1.6199	-	1.6199	-	-	
20	Right view	Point 2266 - Point 2268	Dimension.16	.01	-	.01	-	-	

21 Right view Point 2266 - Point 2265 Dimension.14 7.0979 - 7.0979 - -



Tag	Saved View	Feature Name	Annotation Name	GD&T	(+)	/	(-)	DRF	▲
22	Top view	Point 2298 - Point 2259	Dimension.54	6.8637	-	6.8637	-	-	
23	Top view	Cylinder 2378 - Cylinder 2380	Dimension.45	1.5785	-	1.5785	-	-	
24	Top view	Generic 2292	Dimension.51	.25	-	.25	-	-	
25	Top view	Cylinder 2382 - Point 2297	Dimension.53	.88	-	.88	-	-	
26	Top view	Cylinder 2382 - Generic 2292	Dimension.52	.50	-	.50	-	-	
27	Top view	Cylinder 2382 - Point 2290	Dimension.39	1.0343	-	1.0343	-	-	
28	Top view	Cylinder 2380	Dimension.32	∅.58	-	.58	-	-	
29	Top view	Plane 2386 - Generic 2292	Dimension.40	1.5320	-	1.5320	-	-	
30	Top view	Cylinder 2380 - Cylinder 2382	Dimension.41	2.3021	-	2.3021	-	-	
31	Top view	Cylinder 2376	Dimension.29	∅.58	-	.58	-	-	
32	Top view	Cylinder 2376 - Cylinder 2380	Dimension.42	1.8322	-	1.8322	-	-	
33	Top view	Cylinder 2384 - Cylinder 2376	Dimension.43	2.3833	-	2.3833	-	-	
34	Top view	Cylinder 2384	Dimension.35	∅.58	-	.58	-	-	
35	Top view	Point 2295 - Point 2293	Dimension.49	1.2480	-	1.2480	-	-	
36	Top view	Point 2294 - Point 2293	Dimension.47	3.4377	-	3.4377	-	-	
37	Top view	Point 2286 - Point 2287	Dimension.36	.96	-	.96	-	-	
38	Top view	Point 2268 - Point 2287	Dimension.37	.15	-	.15	-	-	
39	Top view	Point 2294 - Point 2295	Dimension.48	2.1897	-	2.1897	-	-	
40	Top view	Point 2296 - Point 2263	Dimension.50	.82	-	.82	-	-	
41	Top view	Point 2254 - Point 2299	Dimension.55	10.0648	-	10.0648	-	-	
42	Top view	Cylinder 2378	Dimension.31	∅.67	-	.67	-	-	
43	Top view	Cylinder 2382	Dimension.34	R.29	-	.29	-	-	
44	Top view	Cylinder 2378 - Cylinder 2380	Dimension.44	.20	-	.20	-	-	



Date: Wed Jan 13 06:18:25 2021

QA Acceptance Signature: \_\_\_\_\_